

## Professional Glueboard Insect Control

Please read these instructions carefully and store in a safe place for future reference.

### EDGE®

As part of the **Insect-O-Cutor®** brand of insect control products, **Edge®** is a versatile professional flykiller which utilises highly effective **Synergetic®** UV tubes and is designed for use with a high specification **Glupac®** glueboard. **Edge®** can be wall or desk\*\* mounted.

### CONTENTS OF PACKAGE

- 1 x Edge® flykiller
- 1 x Glupac® pheromone impregnated glueboard
- 1 x Mounting instructions sheet
- 1 x Mains cable (Type X)
- 1 x Removable aluminium debris tray
- 2 x High powered Synergetic® UV tubes (Fitted)
- 4 x Screws and wall plugs
- 1 x Key fob (for opening the front guard)

WARNING - THIS APPLIANCE MUST BE EARTHED (CLASS 1)

### INSECT CONTROL PRODUCTS

**Edge®** utilises high powered ultra violet tubes to attract flying insects and retains the caught insects on a pheromone impregnated glueboard for inspection or hygienic disposal.

### WARNING

**Edge®** is not to be used by children or persons with reduced physical, sensory or mental capabilities, or lack of experience and knowledge, unless they have been given supervision or instruction.

Children should be supervised to ensure they do not play with the appliance.

If the mains cable is damaged it must be replaced by a specialist mains cable available from Pelsis Ltd or your supplier.

**Edge®** must only be used in areas which are free of dust and any possible explosive vapour mixture, are suitable for indoor use only and are not suitable for use in barns, stables and similar locations.

### POSITIONING AND GUIDANCE FOR USE

THIS UNIT IS FOR INDOOR USE ONLY.

**Edge®** should ideally be fixed around two metres above the ground, preferably in the darkest place within the area to be protected. **ENSURE THERE IS A MINIMUM OF 400mm BETWEEN THE TOP OF EDGE AND THE CEILING TO PROVIDE ENOUGH SPACE TO INSERT THE GLUEBOARD (SEE MOUNTING INSTRUCTIONS.)** Do not position the unit close to windows, skylights or other sources of light, or where it may be obscured by furniture, doors or other obstacles. Ideally, **Edge®** should be visible from every part of the area to be protected.

**Edge®** should ideally be in operation for 24 hours a day, ensuring your premises are kept free of flying insects. Insects are most attracted to **Edge®** at night when there is no competition from daylight or other light sources.

### GUARANTEE

**Edge®** has a three year guarantee and if maintained as recommended in these instructions should continue to work for many years.\* Use of non-approved consumables may invalidate the guarantee. Ensure genuine **Glupac®** glueboards are used in conjunction with this product.

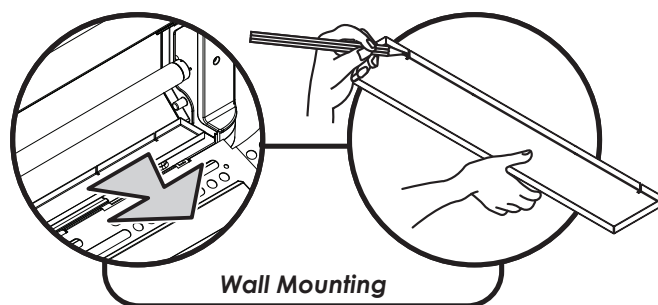
### INSTALLATION

INSTALLATION SHOULD BE CARRIED OUT BY SERVICE PERSONNEL ONLY. KEEP OUT OF REACH OF CHILDREN.

**Edge®** has a quarter turn lock to hold the front guard tightly in position. The lock can be opened by rotating 45° clockwise, with either the supplied key fob or a coin.

**Edge®** can be mounted in three different ways as described below. For wall mounting, use the supplied wall mounting plugs and screws, making sure correct wall plugs are used for specialist mounting materials, such as plasterboard.

**Wall Mounting - Edge®** can be wall mounted horizontally or vertically. For horizontal mounting, use the two cut outs on the debris tray to mark the correct wall mounting points.



For vertical wall mounting, first select the correct fixing holes as outlined in the 'Mounting Instructions Sheet.' Then drill fixing holes into the mounting surface and use the supplied fixing screws and wall plugs to secure the unit in position.

**Desk mounting - Edge®** can be installed onto a horizontal surface by using the two specially designed black steel feet.\*\*

Once **Edge®** is installed in position, fit the **Glupac®** glueboard in place as described in the glueboard replacement section of this document. Use the removable mains lead and plug to connect the **Edge®** to an appropriate power supply.

### SERVICE CARD

**Edge®** is supplied with a removable service card to record any maintenance carried out on the product. This could include tube, glueboard or starter replacement, or simply cleaning of the product.

### CLEANING

CLEANING SHOULD BE CARRIED OUT BY SERVICE PERSONNEL ONLY, AFTER ENSURING THAT THE UNIT IS DISCONNECTED FROM THE MAINS SUPPLY.

It is recommended that cleaning is carried out regularly when the glueboard is replaced. Once the glueboard is removed, the unit should be thoroughly wiped down with a damp cloth, removing any build up of dirt. Ensure the unit is completely dry before reconnecting it to the power supply.

\*Excludes tubes, glueboards and starters. Does not cover breakdown due to misuse, incorrect operation or use in an incorrect application.

\*\*Desk mount feet and feet fixing pins are available if required, please contact Pelsis or your supplier.

## GLUEBOARD REPLACEMENT

BEFORE REPLACING THE GLUEBOARD, ALWAYS ENSURE THAT THE UNIT IS DISCONNECTED FROM THE MAINS SUPPLY.

The glueboard should be replaced every month with a genuine Glupac® glueboard. Use of non-approved glueboards may invalidate your guarantee. **Edge®** comes supplied with discreet black glueboards with printed grids for simple insect evaluation and monitoring. High efficacy replacement yellow glueboards are also available. **Edge®** incorporates patented\* glueboard technology to create a three dimensional glueboard form, proven to catch more flying insects quicker.

To replace the glueboard...

1. Remove the used Glupac® glueboard by carefully pulling it clear of the unit.
2. Remove the protective release paper from the new Glupac® glueboard.
3. Slowly slide the new Glupac® glueboard into position with the adhesive side facing the tubes and the 'arrow notch' at the top of the glueboard pointing down.
4. As the glueboard is pushed down into the unit, the patented glueboard runners will guide the glueboard into the unique form.
5. Once formed into position, the final fold should be tucked under the retaining hooks.

Always ensure the selected genuine Glupac® glueboards are compatible with your unit, available from your PCO or Pelsis Ltd.

## TUBE REPLACEMENT

TUBE REPLACEMENT SHOULD BE CARRIED OUT BY SERVICE PERSONNEL ONLY, AFTER ENSURING THAT THE UNIT IS DISCONNECTED FROM THE MAINS SUPPLY.

To ensure the efficiency of **Edge®** in catching flying insects, the UV tubes should be replaced annually. After twelve months the phosphor coating that emits the correct wavelength of UV light has burnt away and the UV output is diminished substantially.

To replace the UV tubes...

1. Open the swing down front guard.
2. Rotate the tube through 90°, freeing it from the tube holders.
3. Pull the tube away from the chassis.
4. Dispose of the used UV tube in conjunction with local WEEE regulations.

## STARTER REPLACEMENT

STARTER REPLACEMENT SHOULD BE CARRIED OUT BY SERVICE PERSONNEL ONLY, AFTER ENSURING THAT THE UNIT IS DISCONNECTED FROM THE MAINS SUPPLY.

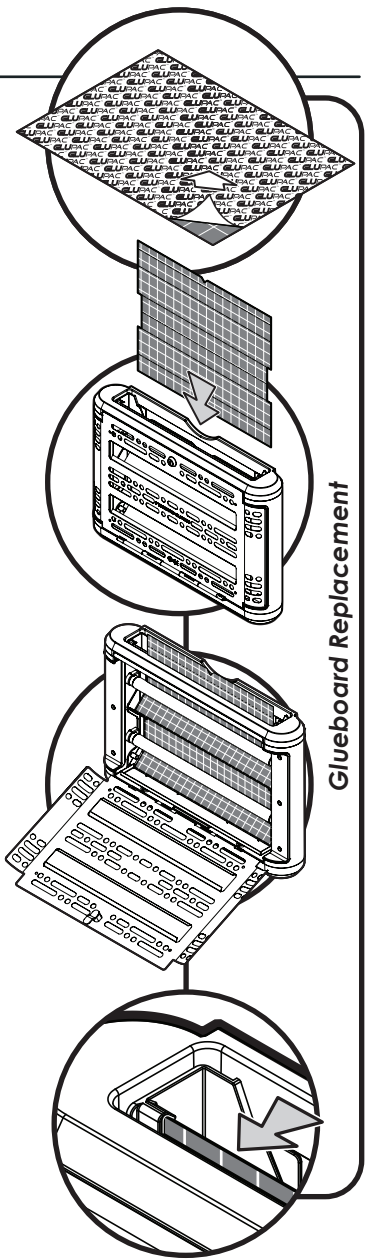
The starters provide an extra spark to initially light the UV tubes. Starters wear out and should be replaced at the same intervals as the UV tubes.

To replace the starters...

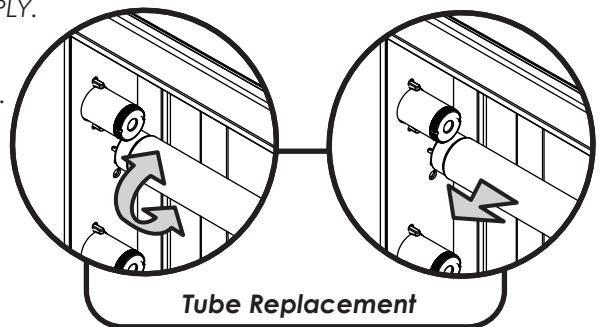
1. Rotate the starter anti-clockwise.
2. Pull the starter free from the unit.

### SPECIFICATION / REPLACEMENT PARTS

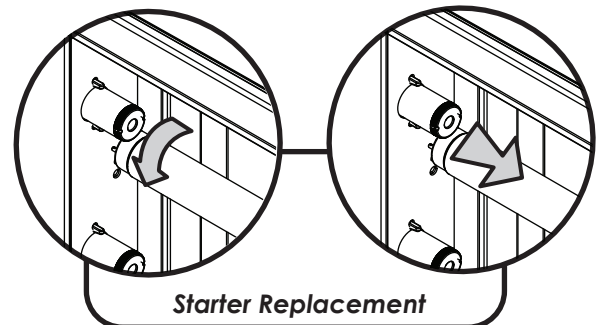
<b>Unit</b>	Edge 30
<b>Voltage</b>	230V ~ 50Hz
<b>Dimensions(mm)</b>	570 x 380 x 110
<b>Coverage</b>	120 Sq. Metres
<b>Weight</b>	5.5 Kg
<b>Light Output</b>	30W
<b>Tubes</b>	2 x TGX15-18
<b>Starter</b>	2 x I154
<b>Glueboards (x6)</b>	INF198 (Black) INF197 (Yellow)



Glueboard Replacement

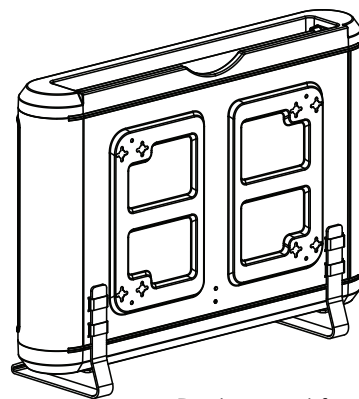
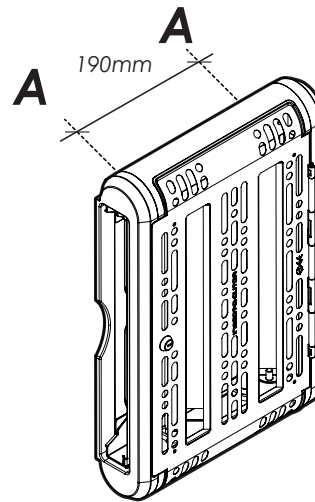
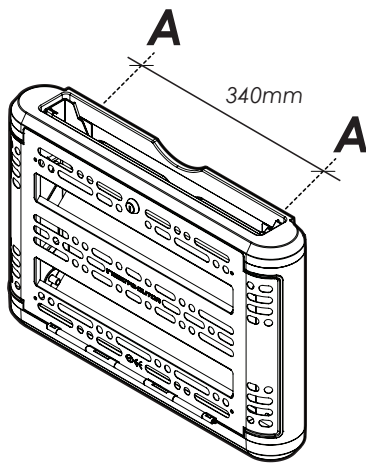
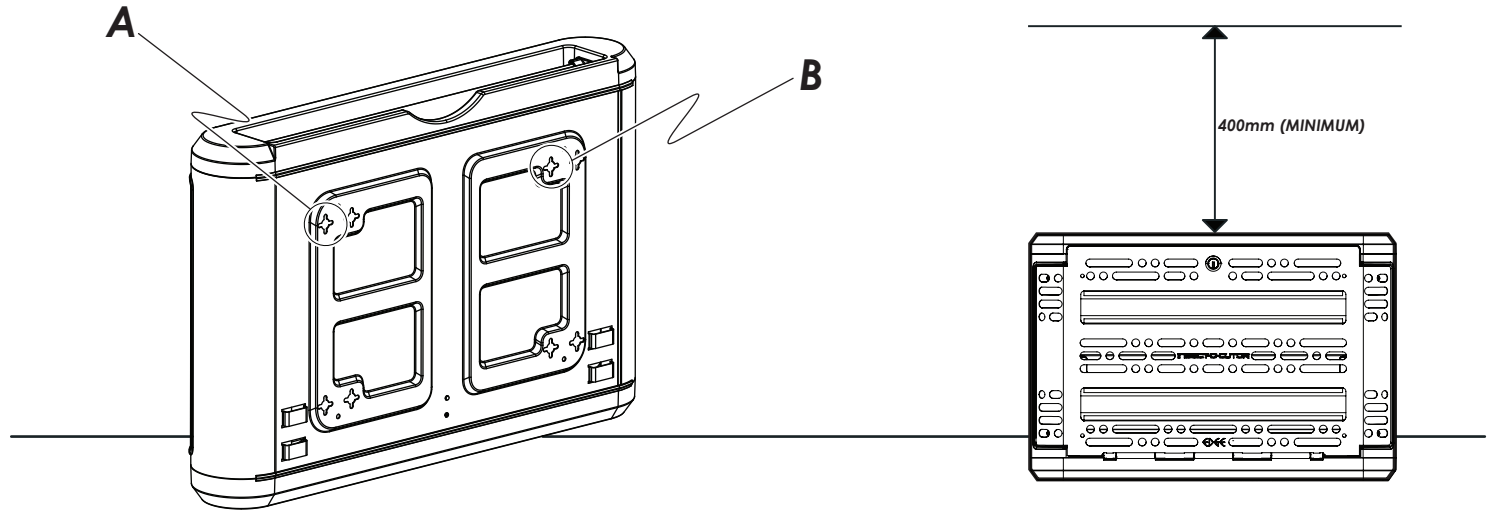


Tube Replacement



Starter Replacement

## MOUNTING INSTRUCTIONS



Desk mount feet optional