

SAFETY INFORMATION

Please read these instructions carefully and store in a safe place for future reference.



Read User Manual



For Indoor Use Only

- This appliance is to be kept out of the reach of children.
- This appliance can be used by children aged from 8 years and above and persons with reduced physical, sensory or mental capabilities or lack of experience and knowledge if they have been given supervision or instruction concerning use of the appliance in a safe way and understand the hazards involved.
- Cleaning and user maintenance shall not be made by children without supervision.
- Children should be supervised to ensure they do not play with the appliance.
- **Warning:** This appliance must be earthed. If the supply cord is damaged, it must be replaced with a special cord or assembly available from the manufacturer or its service agent.

GUARANTEE

Infiniti® Compact has a three year guarantee and if maintained as recommended in these instructions should continue to work for many years. Use of non-approved consumables may invalidate the guarantee (excludes consumables - LED strips and glueboards). The guarantee does not cover breakdown due to misuse, incorrect operation or use in an incorrect application.

CONTENTS OF PACKAGE

- 1 x Infiniti® Compact insect light trap
- 1 x Infiniti® LED strip (fitted)
- 1 x Glupac® Infiniti® glueboard (1/2 required for Infiniti® Compact)
- 4 x Screws and wall plugs (3 x required for installation, 1 x spare)
- 1 x mains cable

POSITIONING AND GUIDANCE

This unit is for indoor use only. Insect light traps should be installed two metres or lower to the ground, preferably in the darkest place within the area to be protected. Do not position the unit close to windows, skylights or other sources of light, or where it may be obscured by furniture, doors or other obstacles. Infiniti® Compact should be used in an environment at or below 30°C (86°F) to ensure the best UV output throughout the units life. Ideally, insect light traps should be visible from every part of the area to be protected. Insect light traps are designed to be in operation for 24 hours a day, ensuring your premises are kept free of flying insects. Insects are most attracted to insect light traps at night when there is no competition from daylight or other light sources.

INSTALLATION

Use the supplied wall mounting plugs and screws to mount the unit to the wall, making sure appropriate wall plugs are used for specialist mounting materials such as plasterboard. Offer the unit up to the mounting surface, and mark the three fixing points on the wall. Drill three holes through the marked fixing points, and insert the wall plugs. Fit the fixing screws, leaving the head slightly proud from the wall. Hang Infiniti® Compact onto the fixing screws, then tighten up from the front of the unit. Once Infiniti® Compact is installed in position, fit the Glupac® Infiniti® glueboard in place as described in the glueboard replacement section of this document. Use the removable mains lead and plug to connect Infiniti® Compact to an appropriate power supply.

MAINTENANCE

CAUTION RISK OF ELECTRIC SHOCK.

NB. Opening the front guard releases a safety switch which cuts power to the unit. Ensure the front guard is fully swung closed after servicing and power is restored to the unit.

CLEANING

Cleaning should be carried out only after ensuring the unit is disconnected from the mains. It is recommended that cleaning is carried out monthly. The unit should be thoroughly wiped down with a damp cloth, removing any build-up of dirt. Ensure the unit is completely dry before reconnecting it to the power supply.

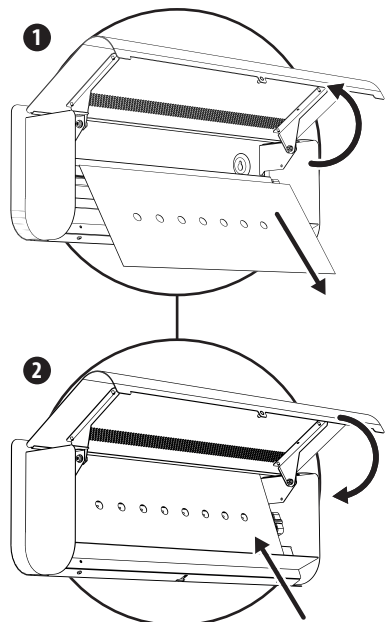
GLUEBOARD REPLACEMENT

The glueboard should only be replaced with a genuine Glupac® Infiniti® glueboard. Use of non-approved glueboards may invalidate your guarantee. Infiniti® Compact comes supplied with discreet black glueboards with printed grids for simple insect evaluation and monitoring.

To replace the glueboard...

1. Swing open the front guard and inspect for any insect debris between the glueboard and debris retaining shelf.
2. Remove the used Glupac® Infiniti® glueboard by first pulling the bottom of the glueboard forward, then down and free from the unit.
3. Tear the new Glupac® Infiniti® glueboard in half along the perforation line, retaining the second half for the next service cycle.
4. Remove the protective release paper from the new Glupac® Infiniti® glueboard.
5. Offer the new glueboard up to the unit between the right and left hand guides with the bottom edge resting on the lower shelf.
6. Push the bottom section of the board into place behind the debris retaining shelf, ensuring that the holes in the glueboard line up with the LEDs.

GLUEBOARD REPLACEMENT



LED STRIP REPLACEMENT

LED strip replacement should be carried out only after ensuring the unit is disconnected from the mains.

The LEDs within the LED strip slowly break down over time, and the level of UV emitted drops. To maintain appropriate levels of protection against flying insects, the LED strip should be replaced at least every three years, typically at the start on the summer.

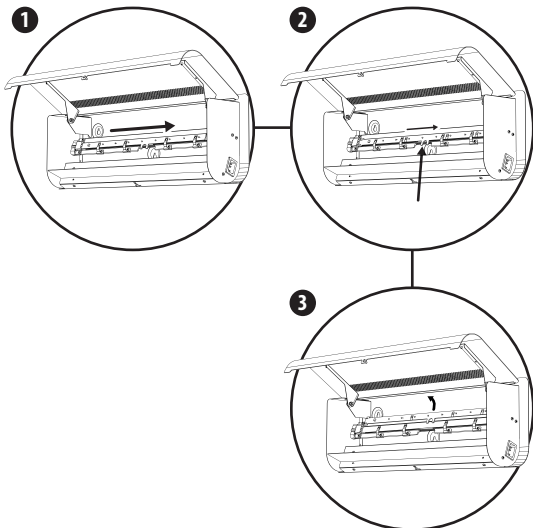
To remove the LED strip...

1. Isolate unit from mains power supply.
2. Swing open the front guard from the bottom and remove the glueboard.
3. Release the LED strip from the connector, by inserting a finger between the two tabs and sliding to the right.
4. Push the LED strip up and free from the metal spring clips, freeing it from the unit.
5. Dispose of the LED strip in conjunction with local WEEE regulations, (see Information on Disposal for Users of WEEE).

To insert a new LED strip...

1. Offer the new LED strip towards the unit, with the LEDs facing forward and the connector to the left.
2. Having positioned the new LED strip so that it is just above the spring clips, slide the LED strip down and behind the spring clips, until the lower edge of the strip stops against the bottom face of the aluminium heatsink.
3. Insert the LED strip into the connector, by placing a finger between the two tabs and sliding fully to the left.
4. Insert a new glueboard as described in the glueboard replacement section of this document.
5. Close the front guard and reconnect the mains power.
6. If the LEDs do not light up, firstly check that the front guard is fully closed. If the LEDs still do not light up, disconnect the power, open the front guard, remove the glueboard and check that the LED strip is fully engaged.

LED STRIP REPLACEMENT



SPECIFICATION / REPLACEMENT PARTS

Model	Infiniti® Compact
Voltage	230V ~ 50Hz
Dimensions (mm)	500 x 175 x 100
Weight (kg)	2.0
LED Strip	1 x LED8S
Glueboard	1/2 x INL288 (Black)



For private households: Information on Disposal for Users of WEEE

This symbol on the product(s) and / or accompanying documents means that used electrical and electronic equipment (WEEE) should not be mixed with general household waste. For proper treatment, recovery and recycling, please take this product(s) to designated collection points where it will be accepted free of charge. Alternatively, in some countries, you may be able to return your products to your local retailer upon purchase of an equivalent new product. Disposing of this product correctly will help save valuable resources and prevent any potential negative effects on human health and the environment, which could otherwise arise from inappropriate waste handling. Please contact your local authority for further details of your nearest designated collection point. Penalties may be applicable for incorrect disposal of this waste, in accordance with your national legislation.

For professional users in the European Union

If you wish to discard electrical and electronic equipment (EEE), please contact your dealer or supplier for further information.

For disposal in countries outside of the European Union

This symbol is only valid in the European Union (EU). If you wish to discard of this product, please contact your local authorities or dealer and ask for the correct method of disposal.

We are constantly developing our products to meet the evolving standards of our customers and as such, information in our instruction manuals may change. Please visit www.insect-o-cutor.co.uk for the latest version of this manual. It is not intended that this manual forms part of any contract with Pelsis Ltd.

©2022 Pelsis